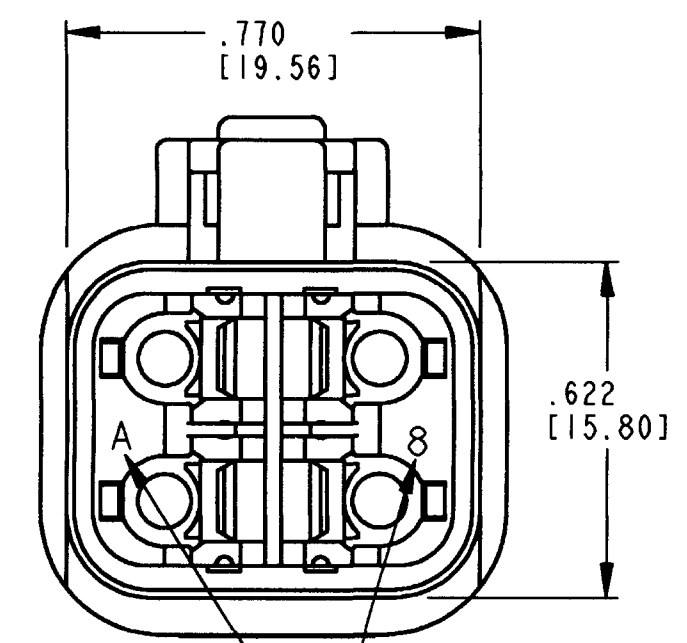
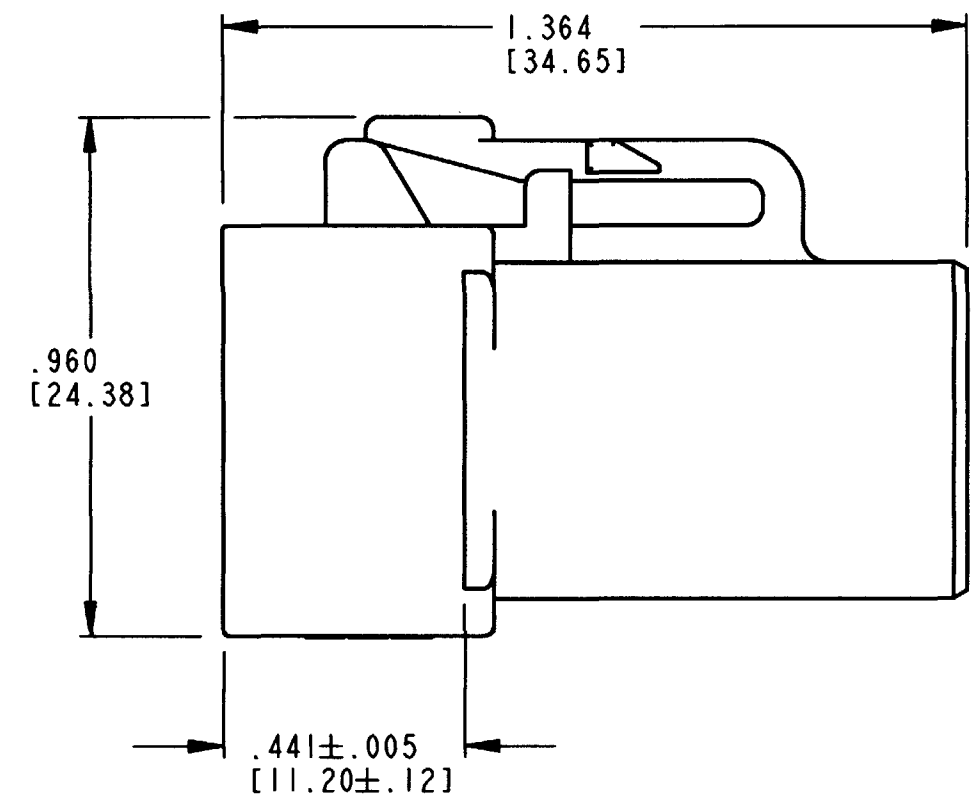
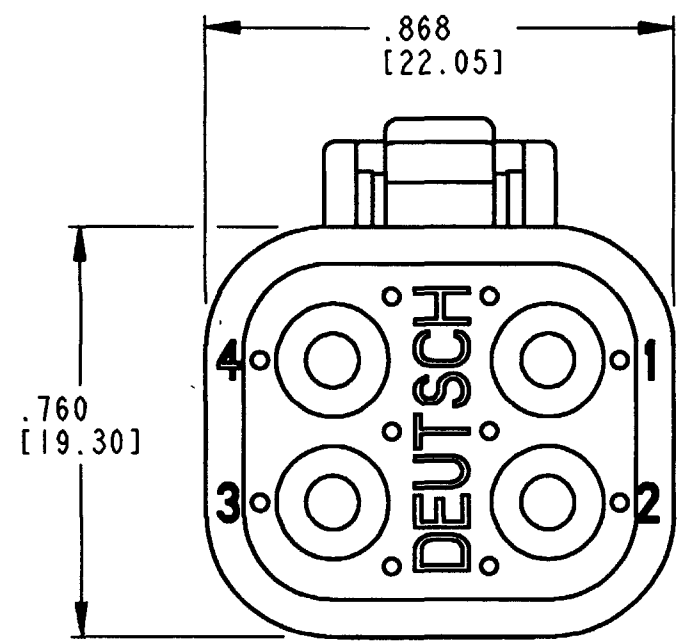


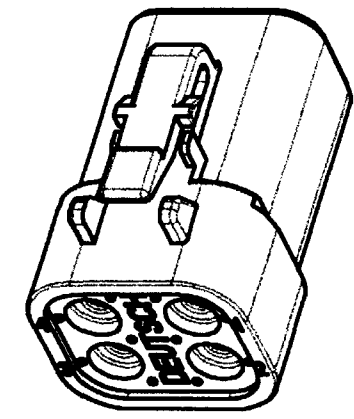
REV B DTP06-4S-E004

REVISIONS			
SYM	DESCRIPTION	DATE	APPROVED
NC	NEW RELEASE PER E.O. P16220	08/05/99	R.D.R.
A	REVISED PER E.O. P16905	10/18/00	R.D.R.
B	REVISED PER E.O. P17224	4-13-01	RDR



DATE CODE: MONTH IS REPRESENTED BY SEQUENTIAL ALPHA CHARACTERS. EX: A=JANUARY; YEAR IS REPRESENTED BY LAST NUMERICAL DIGIT. EX: 8=2008

- 6. MATERIAL: HOUSING: PLASTIC; GROMMET: RUBBER
  - 5. THIS PLUG MATES WITH DTP04-4P-\*\*\*\* RECEPTACLE. (\*\*\*\* = ALL MODIFICATIONS)
  - 4. FOR CONTACT AND WIRE PERFORMANCE AND APPLICATION CHARACTERISTICS SEE ENVELOPE DRAWING 0425-015-0000.
  - 3. SECONDARY WEDGE LOCK SOLD SEPARATELY, WP-4S.
  - 2. DIMENSION TOLERANCE: ±.025 [.64].
  - 1. DIMENSIONS ARE IN INCHES [mm].
- NOTES: UNLESS OTHERWISE SPECIFIED



3D VIEW

CONTACT SIZE	MIN. INSUL. O.D.	MAX INSUL. O.D.	WIRE RANGE [mm <sup>2</sup> ] REF ONLY
12	.134 [3.40]	.195 [4.95]	10-14 AWG [5.0-2.0]

SIGNATURE & DATE	
DR	D. MEYER 07/30/99
CHK	B. B. 4/1/01
PE	L. Pallitto 4/9/01
APPD	D. Meyer 4/9/01
SCALE	NONE

PLUG  
4 CONTACTS, SIZE 12  
COLOR: BLACK  
-E004 MOD  
DTP SERIES  
ENVELOPE

CP EP040    MATL. CODE

**The Deutsch Company**  
DEUTSCH I.P.D.  
3850 INDUSTRIAL AVE.  
HEMET, CALIF. 92545

**B** DTP06-4S-E004

DWG SIZE    CODE 11139    SHEET 1 OF 1